

**SPECIFICATIONS**

Rated (额定参数): 300V, 10A  
 Dielectric strength (抗电强度): AC2000V/1 Minute  
 Insulation Resistance (绝缘电阻): 5000MΩ Min  
 Contact Resistance (接触电阻): 20mΩ Max  
 Screw Torque (扭矩): 0.4Nm (3.5Lb.in)  
 Wire Range (线径): 1.4~28AWG  
 Strip length (剥线长度): 6~7mm  
 Temp. range (操作温度): -40°C~+105°C  
 MAX Soldering (瞬时温度): +250°C, 5s

Housing Material (塑件): PA66 (UL94 V-0)

Contact (端子): Brass, Tin plating (黄铜镀锡)

Clamp (方块): Brass/Steel (铜/铁), Ni plating (镍鍍)

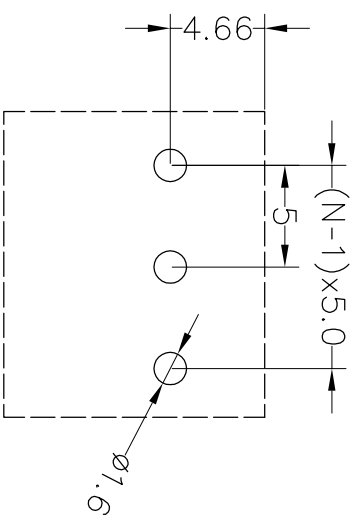
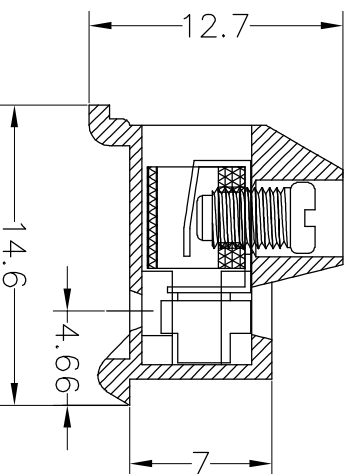
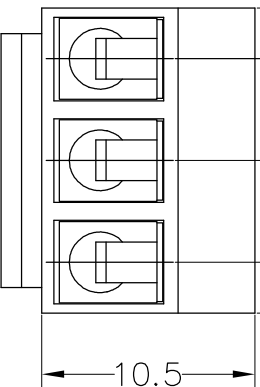
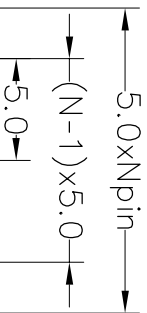
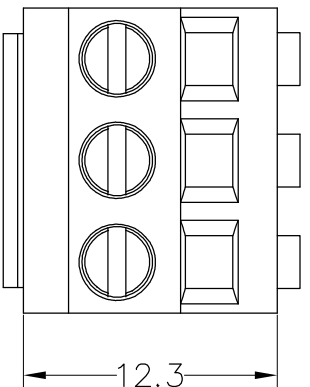
Screw (螺丝): M2.5, Steel, Zinc plating (钢, 镀锌)

PITCH RANGE	NOMINAL DIMENSION RANGE				
	IN MM	IN MM	IN MM	IN MM	IN MM
OVER 6 TO 10	OVER 10 TO 24	OVER 30 TO 60	OVER 60 TO 100	OVER 100 TO 150	OVER 150
±0.10	±0.15	±0.25	±0.30	±0.30	±0.50
					±0.70
					±1.00

**Ordering Information**

**JL332W - XXX XX X X 1**

Pitch 500=5.0PH  
 No. of pins 2P, 3P, 4P~24P  
 Housing Color  
 B=Black  
 G=Green  
 U=Blue  
 R=Red  
 W=White  
 Y=Yellow  
 O=Orange  
 E=Grey  
 Packing  
 O=Pe bag  
 T=Tube  
 A=Tray



P.C.B LAYOUT

REV	DATE	MODIFICATION DESCRIPTION	CHANGE	OPERATION	DRAW	SCALE	FIT	SHEET	TITLE
A0	2016.05.16	NEW DRAWING		XX ±0.30	CHECK	UNIT mm	A4	1/1	JL332W-XXXXXXXX1
1				X:XX ±0.20	APPROVE	SIZE A4			5.00mm
				X:XXX ±0.10		SHEET			Terminal Blocks Female
				Angle ±3'		PROJ.			

**JIN** 深圳市锦凌电子有限公司  
 SHENZHEN JINLING ELECTRONIC CO.,LTD  
 Tel: 86-755-2997-5806/5802 Fax: 86-755-2997-5992