

SPECIFICATIONS

Rated (额定参数): 300V, 10A
 Dielectric strength (抗电强度): AC2000V/1 Minute
 Insulation Resistance (绝缘电阻): 5000MΩ Min
 Contact Resistance (接触电阻): 20mΩ Max
 Screw Torque (扭矩): 0.4Nm (3.5Lb.in)
 Wire Range (线径): 16~28AWG
 Strip length (剥线长度): 5~6mm
 Temp. range (操作温度): -40°C~+105°C
 MAX Soldering (瞬时温度): +250°C, 5s

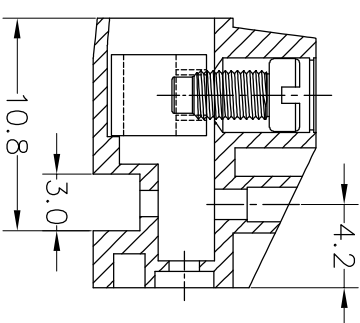
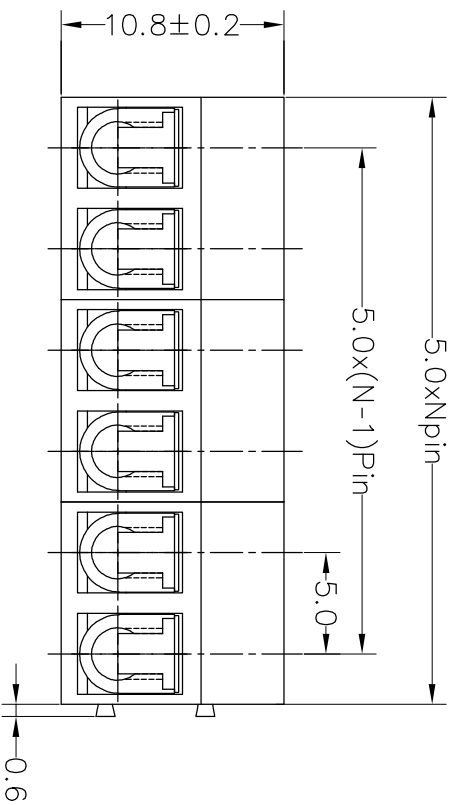
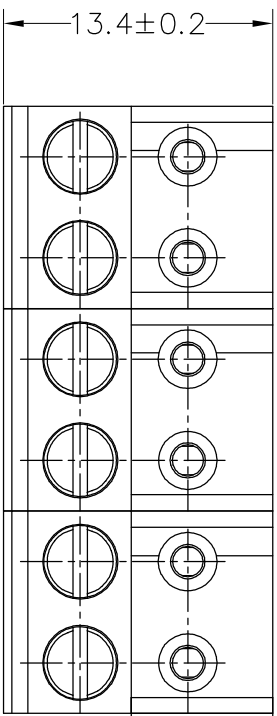
Housing Material (塑件): PA66 (UL94 V-0)
 Contact (端子): Brass, Tin plating (黄铜镀锡)
 Clamp (方块): Brass/Steel (铜/铁), Ni plating (镀锌)
 Screw (螺丝): M2.5, Steel, Zinc plating (钢, 镀锌)

PITCH RANGE	NOMINAL DIMENSION RANGE					
	IN MM		IN MM		IN MM	
OVER 6	OVER 10	OVER 10	OVER 30	OVER 60	OVER 100	OVER 150
TO 6	TO 10	TO 24	TO 30	TO 60	TO 100	TO 150
±0.10	±0.15	±0.25	±0.30	±0.30	±0.50	±0.70
						±1.00

Ordering Information

JL 332K - 500 XX X X 1

Pitch 500=5.0Pin
 No. of pins 2P, 3P, 4P~24P
 Housing Color
 B=Black
 G=Green
 U=Blue
 R=Red
 W=White
 Y=Yellow
 E=Grey
 Packing
 O=Pe bag
 T=Tube
 A=Troy



REV	DATE	MODIFICATION DESCRIPTION	CHANGE	OPERATION	SCALE	FIT	PART NO.												
A0	2018.06.07	NEW DRAWING		<table border="1"> <tr> <td>XX</td> <td>±0.30</td> <td></td> <td></td> </tr> <tr> <td>X.XX</td> <td>±0.20</td> <td>CHECK</td> <td></td> </tr> <tr> <td>X.XXX</td> <td>±0.10</td> <td></td> <td></td> </tr> </table>	XX	±0.30			X.XX	±0.20	CHECK		X.XXX	±0.10			A4	1/1	JL332K-500XXXXX1
XX	±0.30																		
X.XX	±0.20	CHECK																	
X.XXX	±0.10																		
1				<table border="1"> <tr> <td>Angle</td> <td>±3°</td> <td>APPROVE</td> <td></td> </tr> <tr> <td>DIM</td> <td>TOL</td> <td></td> <td></td> </tr> </table>	Angle	±3°	APPROVE		DIM	TOL					5.00mm Terminal Blocks Female				
Angle	±3°	APPROVE																	
DIM	TOL																		

JILIN 深圳市锦凌电子有限公司
 SHENZHEN JINLING ELECTRONIC CO.,LTD
 Tel: 86-755-2997-5806/5802 Fax: 86-755-2997-5992