

SPECIFICATIONS

Rated(额定参数): 300V,10A
 Dielectric strength(抗电强度): AC2500V/1 Minute
 Insulation Resistance(绝缘电阻):1000MΩ Min
 Contact Resistance(接触电阻):20mΩ Max
 Screw Torque(扭矩): 0.4Nm (3.5Lb.in)
 Wire Range(线径):12~24AWG
 Strip length(剥线长度):6~7mm
 Temp. range(操作温度): -40℃~+105℃
 MAX Soldering(瞬时温度):+250℃,5s

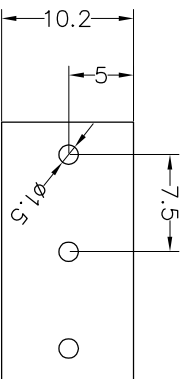
Housing Material(塑件): PA66 (UL94 V-0)
 Contact(端子): Brass, Tin plating(黄铜镀锡)
 Clamp(方块): Brass/Steel(铜/铁), Ni plating(镀镍)
 Screw (螺丝): M2.5, Steel, Zinc plating(钢,镀锌)

PITCH RANGE IN MM	NOMINAL DIMENSION RANGE IN MM					
	OVER TO	OVER TO	OVER TO	OVER TO	OVER TO	OVER TO
±0.10	±0.15	±0.25	±0.30	±0.30	±0.50	±0.70
6	10	10	30	60	100	150
6	10	24	30	60	100	150

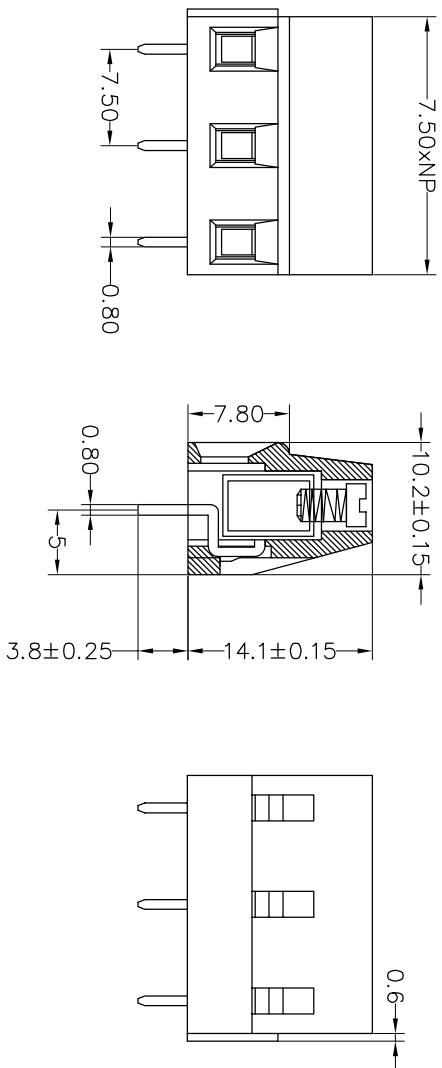
Ordering Information

JL 128-750 XX X X 1

Pitch 750=7.5PH
 No.of pins 2P~12P
 Housing Color
 B=Black
 G=Green
 U=Blue
 R=Red
 W=White
 Y=Yellow
 O=Orange
 E=Grey



Recommended P.C.B Layout(Top Side)



REV	DATE	MODIFICATION DESCRIPTION	CHANGE	DIM	TOL	APPROVE	SCALE	FIT	PART NO.	TITLE:
A0	2017.01.04	NEW DRAWING	CHECK	Angle	±3°	APPROVE	UNIT	A4	JL 128-750XXXXX1	7.5mm Terminal Blocks Female 180°
1			CHANGE				PROU.			

JIN 深圳市锦凌电子有限公司
 SHENZHEN JINLING ELECTRONIC CO.,LTD
 Tel: 86-755-2997-5806/5802 Fax: 86-755-2997-5992